

ADE-1F2 A with integral clamping module - for non-armoured cable

Technical specification



Suitable for the following cable types:

- Non-armoured cable
- Marine shipboard cable; Type P cable
- Tray cable

Integral clamping module provides 100% of cable clamping

Operating temperature:

-60°C to +140°C



Material:

Nickel-plated brass for superior corrosion resistance. 316 stainless steel, bronze and aluminum options available. It is recommended that a suitable lubricant is used on all threads of stainless steel and aluminum versions.

Ingress protection (IP):

IP66 / IP68 according to the method of attachment and the condition of the equipment area, see page 13.

Certifications and compliances:

ATEX certificate no: INERIS12ATEX0032X

Zones 1 and 2, Groups IIA, IIB and IIC
Zones 21 and 22, Groups IIIA, IIIB and IIIC

II2GD / Ex db IIC / Ex eb IIC / Ex tb IIIC

II3G Ex nRc IIC

IM2 / Ex db I / Ex eb I ; For mining applications

Brass or bronze: ADE sizes 8 to 17; 1" to 4" NPT, ISO 32 to 110

Stainless steel: ADE sizes 8 to 17; 3/8" to 4" NPT, ISO 16 to 110

IECEx certificate no: IECEx INE 12.0025X

Zones 1 and 2, Groups IIA, IIB and IIC
Zones 21 and 22, Groups IIIA, IIIB and IIIC

Ex db IIC / Ex eb IIC / Ex nRc IIC / Ex tb IIIC

Ex db I / Ex eb I ; For mining applications

Brass or bronze: ADE sizes 8 to 17; 1" to 4" NPT, ISO 32 to 110

Stainless steel: ADE sizes 8 to 17; 1" to 4" NPT, ISO 32 to 110

Other certificates:

CEPEL 05.0558X

CCoE P360379-1

KOSHA 2015-BO-0249 to 0256

NANIO TC-RU C-FR.ГБ05.B.00858

NEPSI GYJ13.1082X

SABS MS/15-0314X

Shipping application:

ABS 14-HS1274083-PDA

BV 40910/A0 BV

DNV TAE000010X

Lloyds 11/00072

DTS-01:1991 compliant

UL certification:



3DJN E310130 ; Class I, Zone 1*, AEx e II

ADE sizes 3 to 8, 1/2" to 1 1/4" NPT or ISO 20 to 40 with TC-ER-HL non-armoured cable up to 1" diameter.



3DJN E310130 Class I Zone 2*, AEx e II, Ex e II

ADE sizes 3 to 17, NPT 1/2" to 4" or ISO 20 to 110 with non-armoured cable types ITC, MV, PLTC, TC-ER, TC-ER-HL, TC.



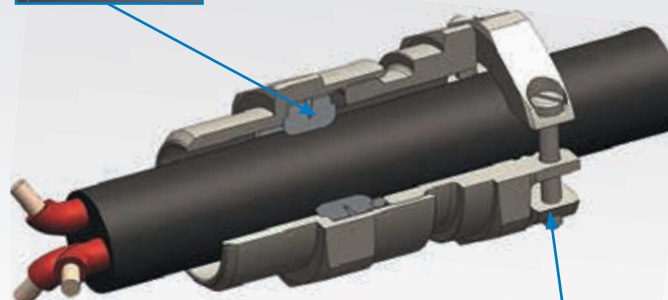
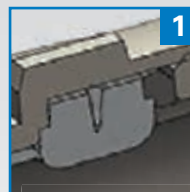
3LRC E314047 Class I Zone 2*, AEx e II, Ex e II

ADE sizes 3 to 17, NPT 1/2" to 4" or ISO 20 to 110 with non-armoured marine cable.

*Can be used in Div.2 provided that the enclosure contains no components that produce arcs or sparks.



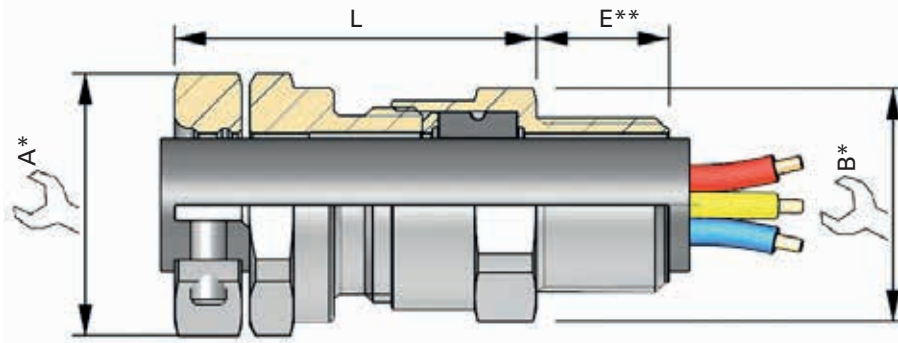
Features and benefits



- 1: Specifically formulated elastomer for IP sealing on outer sheath of cable.
- 2: Integrated external cable clamping for strain relief.

ADE-1F2 A with integral clamping module - order codes and dimensions

Dimensions



* For 'across corners' dimensions, multiply across flats' dimensions by 1.1

** For 'E' see thread dimension page 89

SERIES	THREAD SIZE	CABLE SEALING RANGE	MATERIAL	OPTION
ADE1A	M25	3	NPN	

0 = XS
1 = S
2 = M
3 = L

CODES

K1 Accessories kit 1
K2 Accessories kit 2
K3 Accessories kit 3
BLANK No option

KIT OPTIONS

K1 Kit 1 contents:
• Locknut
• Green composite washer
Kit 2 contents:
• Locknut
• Green composite washer
• Earth tag
• Shroud
Kit 3 contents:
• Locknut
• Green composite washer
• Earth tag
• Serrated washer

NPN Nickel-plated brass
SSN Stainless steel
BZN Bronze
ALN Aluminum (not Group I)

SELECTION TABLE						DIMENSIONS				ADE GLAND SIZE	CATALOG NUMBER ISO	CATALOG NUMBER NPT
SERIES	THREAD SIZE	THREAD SIZE CODE	THREAD SIZE	THREAD SIZE CODE	CABLE SEALING RANGE	CABLE SEALING RANGE ISO/(NPT)						
						OUTER SHEATH MIN - MAX						
ADE1A	16*	M16	-	-	2	4.5 - 8.5	20	19	32,0	4	ADE1AM162NPN	-
ADE1A	16*	M16	-	-	3	7.0 - 12.0	24	19	35,0	5	ADE1AM163NPN	-
ADE1A	20	M20	1/2"	N050	0	2.8 - 5.5	15	24	28,0	3	ADE1AM200NPN	ADE1AN0500NPN
ADE1A	20	M20	1/2"	N050	1	4.5 - 8.5	20	24	32,0	4	ADE1AM201NPN	ADE1AN0501NPN
ADE1A	20	M20	1/2"	N050	2	7.0 - 12.0	24	24	35,0	5	ADE1AM202NPN	ADE1AN0502NPN
ADE1A	20	M20	1/2"	N050	3	10.0 - 16.0 (15.5)	27	24	40,0	6	ADE1AM203NPN	ADE1AN0503NPN
ADE1A	25	M25	3/4"	N075	1	7.0 - 12.0	24	30	40,0	5	ADE1AM251NPN	ADE1AN0751NPN
ADE1A	25	M25	3/4"	N075	2	10.0 - 16.0	27	30	40,0	6	ADE1AM252NPN	ADE1AN0752NPN
ADE1A	25	M25	3/4"	N075	3	13.5 - 20.5	32	30	45,0	7	ADE1AM253NPN	ADE1AN0753NPN
ADE1A	32	M32	1"	N100	3	18.0 - 27.5 (26.0)	41	41	55,0	8	ADE1AM323NPN	ADE1AN1003NPN
ADE1A	40	M40	-	-	3	23.0 - 34.0	48	48	59,0	9	ADE1AM403NPN	-

* Not UL certified. All dimensions in mm. Above catalog numbers are for nickel-plated brass; refer to order code diagram for other options.

For Group I certification, see page 80.